

1.0 Housing

2.0 Pump Set

2.1 Housing

2.2 Thrust Guidance

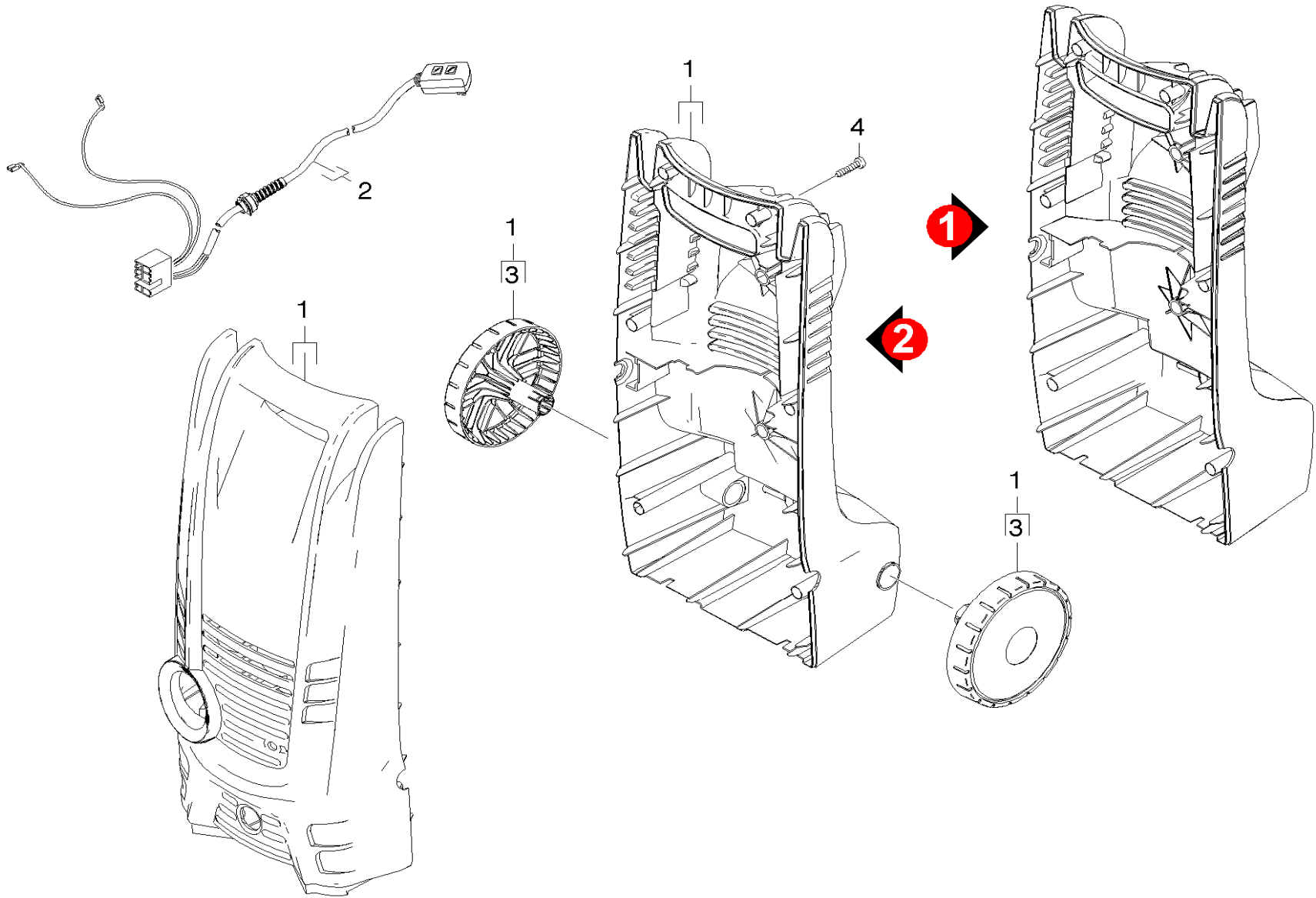
3.0 Motor

4.0 Accessories

4.1 Hand Trigger Gun

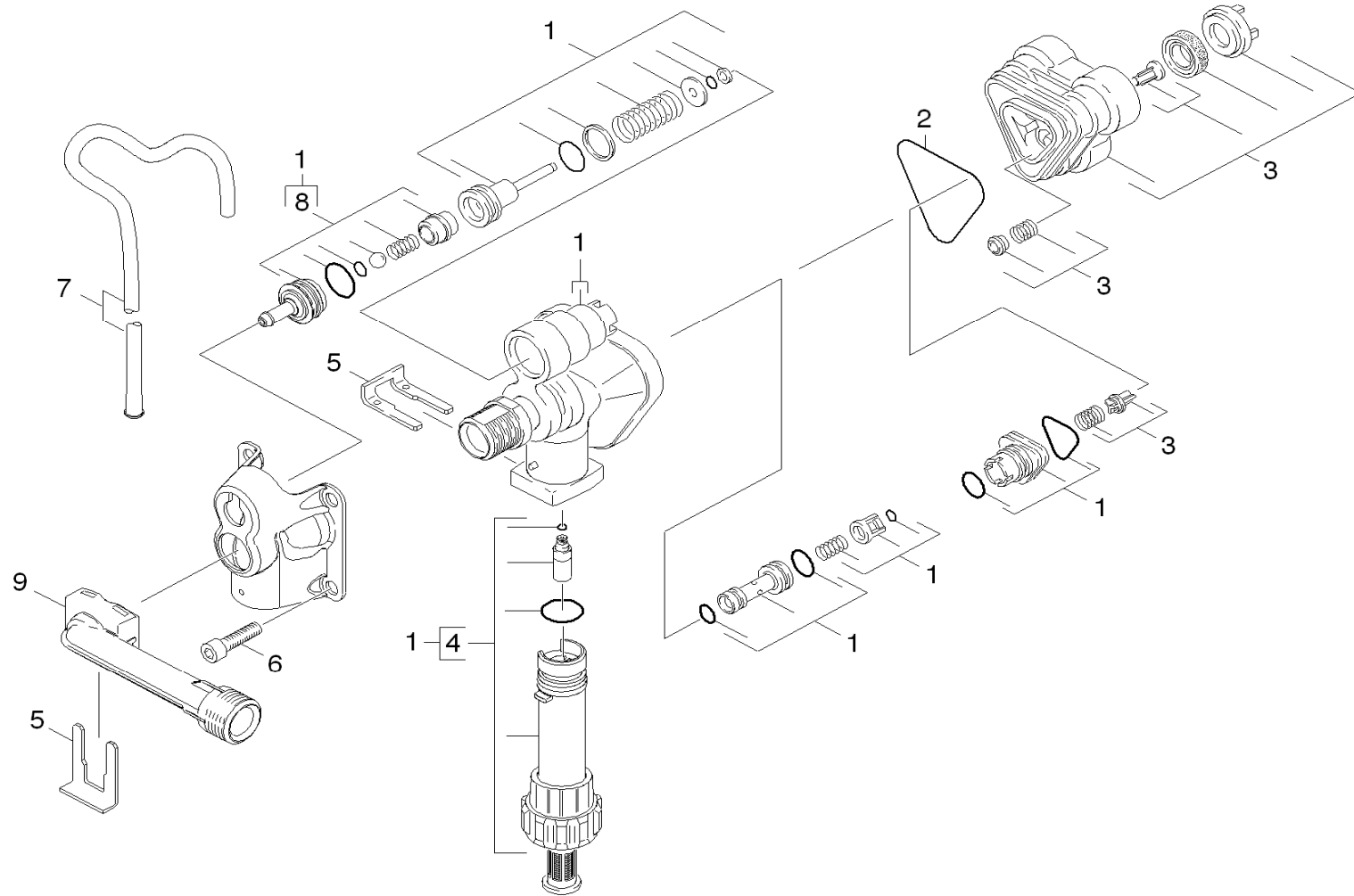
4.2 Hand Trigger Gun

4.3 Jet Pipe



1.0 Housing**K 2.28**

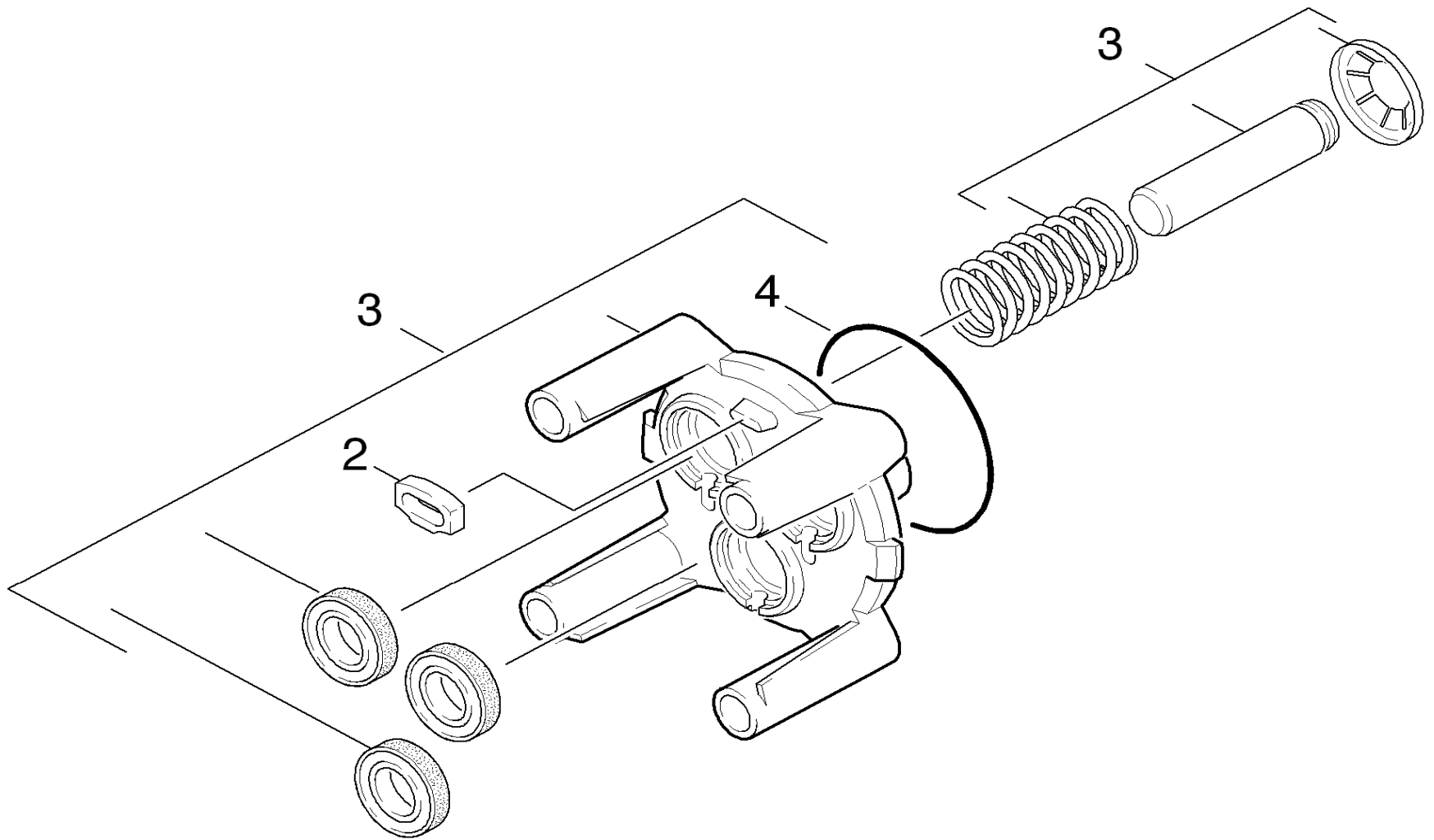
POS	DESCRIPTION ADDITIONAL INFORMATIONS	PART NO	QTY.	FROM SER. NR.	UP TO SER. NR.
1	Housing pair with wheels K2.25M Version 1 1.601-552.0 & 1.601-553.0	9.776-031.0	1		
1	Housing pair without wheels K2.28 Version 2 1.601-554.0	0.000-000.0	1		
2	Cable complete with multi-connector	9.750-072.0	1		
3	Wheel Winner 150 Version 1 1.601-552.0 & 1.601-553.0	9.760-282.0	2		
4	Screw Hi/Lo d. 4x22 Torx d.-7.5 (T-15 Torx)	9.086-173.0	6		



2.1 Housing

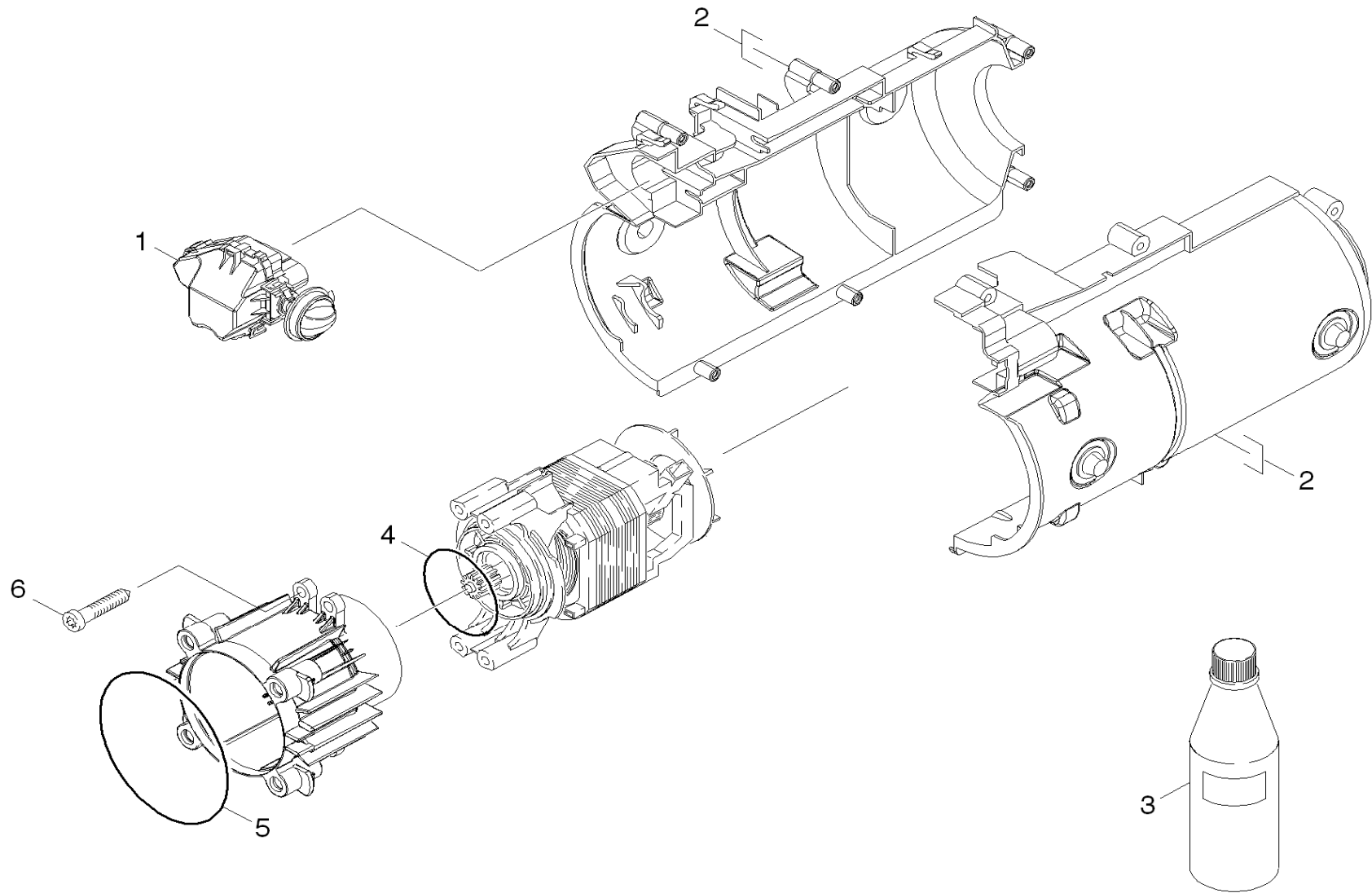
K 2.28

POS	DESCRIPTION ADDITIONAL INFORMATIONS	PART NO	QTY.	FROM SER. NR.	UP TO SER. NR.
1	Manifold (Control Head) complete replacement K2.26*	9.750-176.0	1		
2	Form seal	9.081-422.0	1		
3	High Pressure (Cylinder Head) head complete Spare Part	9.001-215.0	1		
4	Suction connection replacement	9.750-177.0	1		
5	Metal fork	9.039-148.0	2		
6	Cylinder head screw M8x65 -8.8-A2E ISO4	7.306-151.0	4		
7	Filter cleaning agents W107/207	9.011-911.0	1		
8	Detergent fitting assembly	9.750-058.0	1		
9	Connection delivery side	9.760-813.0	1		



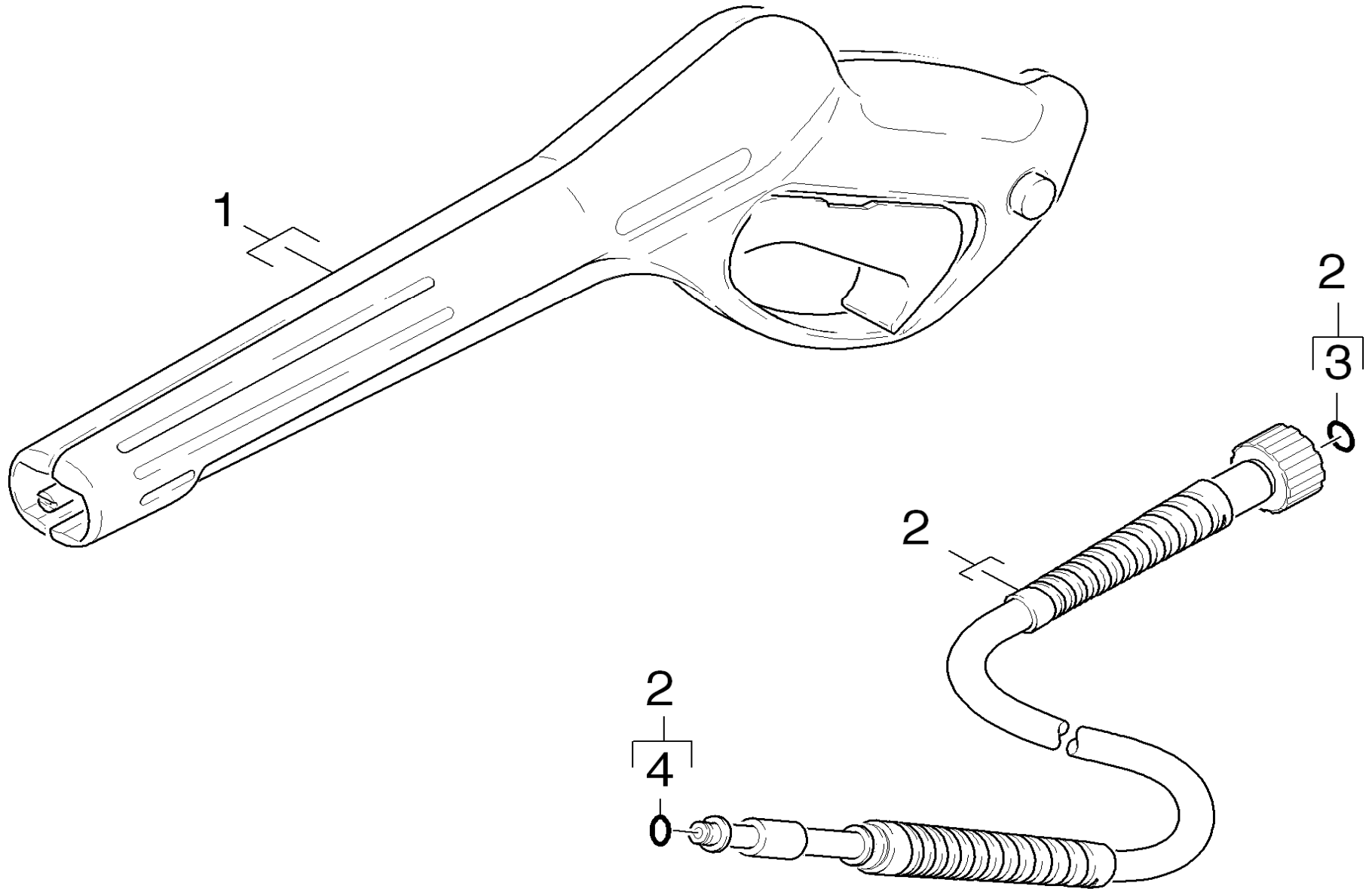
2.2 Thrust Guidance**K 2.28**

POS	DESCRIPTION ADDITIONAL INFORMATIONS	PART NO	QTY.	FROM SER. NR.	UP TO SER. NR.
2	Spacer - Seal	9.048-071.0	1		
3	Piston guidance replacement complete	9.750-078.0	1		
4	O-Ring Seal 60x2.5 -NBR 80	6.363-339.0	1		



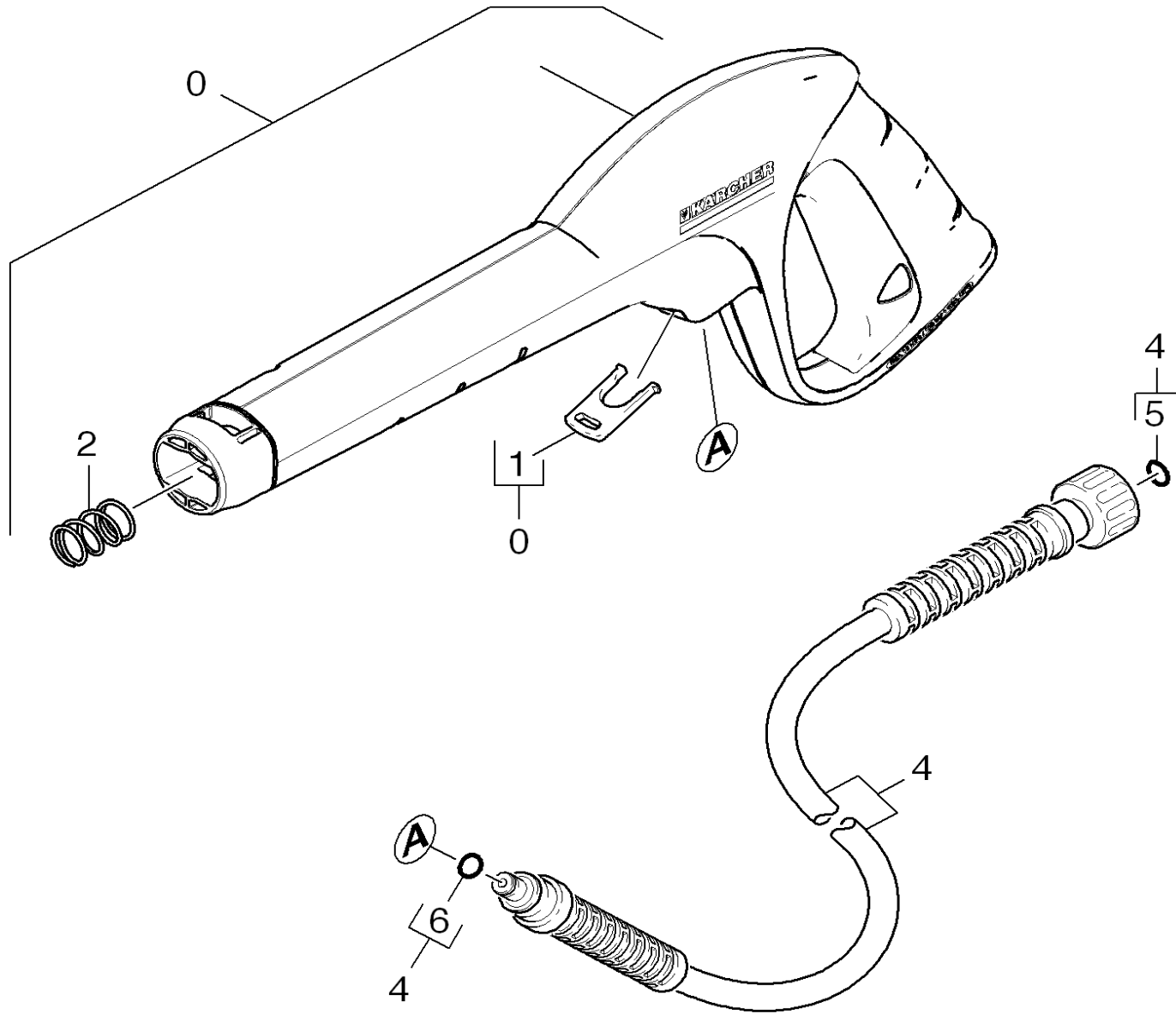
3.0 Motor**K 2.28**

POS	DESCRIPTION ADDITIONAL INFORMATIONS	PART NO	QTY.	FROM SER. NR.	UP TO SER. NR.
1	Electric box complete replacement K2.26*	9.750-178.0	1		
2	Housing motor replacement *(CEN)	9.750-079.0	1		
3	Engine oil 1L	6.288-112.0	1		
4	O-Ring Seal 50x2.2 -NBR 80	6.363-340.0	1		
5	O-Ring Seal 60x2.5 -NBR 80	6.363-339.0	1		
6	Screw 5x26.4	6.303-260.0	4		



4.1 Hand Trigger Gun**K 2.28**

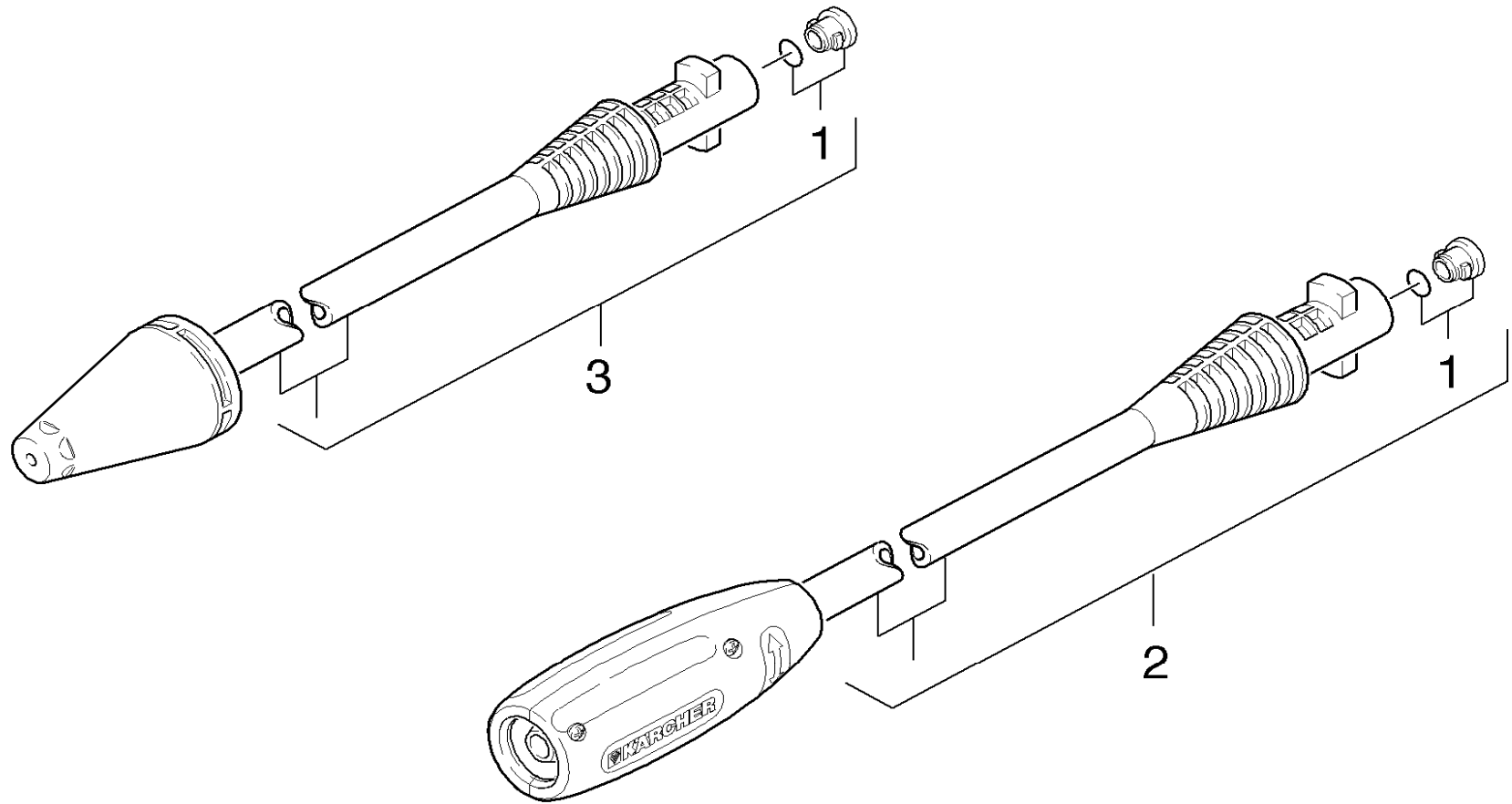
POS	DESCRIPTION ADDITIONAL INFORMATION	PART NO	QTY.	FROM SER. NR.	UP TO SER. NR.
1	Trigger Gun / Pistol	4.775-331.0	1		
2	High Pressure Hose 6/11MPa neutr., 40G,M	6.391-571.0	1		
3	O-Ring Seal (5 Pack)	2.880-296.0	1		
4	O-Ring Seal 6.75x1.78 NBR 70	6.362-498.0	1		



4.2 Hand Trigger Gun

K 2.28

POS	DESCRIPTION ADDITIONAL INFORMATIONS	PART NO	QTY.	FROM SER. NR.	UP TO SER. NR.
0	Trigger Gun / Pistol	2.641-611.0	1		
1	Clip / Clamp	5.037-185.0	1		
2	Pressure Spring	5.332-464.0	1		
4	High Pressure Hose 6/11MPa	6.390-871.0	1		
5	O-Ring Seal (5 Pack)	2.880-296.0	1		
6	O-Ring Seal 6.75x1.78 NBR 70	6.362-498.0	1		



4.3 Jet Pipe**K 2.28**

POS	DESCRIPTION ADDITIONAL INFORMATIONS	PART NO	QTY.	FROM SER. NR.	UP TO SER. NR.
1	O-Ring seal set	2.640-729.0	1		
2	VPS K2 026	4.760-520.0	1		
3	Rotary Nozzle LP/027	4.763-991.0	1		